



the  
compass  
specialist

# SHARE OUR ENTHUSIASM FOR ACCURACY



MARINE  
COMPASSES



COMPASS  
REPAIR/SERVICES



CLOCKS AND  
METEOROLOGY



MARINE  
CHRONOMETERS

AUTONAUTIC  
A the  
compass  
specialist



AUTONAUTIC INSTRUMENTAL	4
WORLDWIDE MAGNETIC COMPASS REPAIR SERVICES	6
MARINE COMPASSES	8
CLOCKS & METEOROLOGY	32



AUTONAUTIC  
THE COMPASS SPECIALIST



AUTONAUTIC  
the  
compass  
specialist

WITH OVER 45 YEARS at the forefront in the design and manufacture, our trade is to combine accuracy, solidness and best craftsmanship. The extensive portfolio of Autonautic Instrumental includes all type of marine compasses, precise clocks, barometers and weather instruments well balanced up to the detail.

All our marine compasses are in compliance with Directive 2014/90/EC on Marine Equipment with Implementing Regulation (EU) 2018/773 and in accordance with the Regulations, Codes or Standards stated on the CE Type Approval Certificate (EC Type Examination Certificate-Module B), to provide you with a compass that guarantees maximum safety in Navigation. We manufacture a wide range of high-quality marine compasses, attractively designed for any type of boat.

THE QUALITY OF OUR COMPASSES comes with the endorsement of the most demanding quality control systems of all Autonautic production processes, and the implementation of the ISO 9001:2015 quality system accredited by RINA for the design, manufacture and repair service of magnetic compasses.

Autonautic clocks, chronometers and weather instruments combine traditional design and the styliness of the finest nautical clocks and weather instruments.



## MAGNETIC COMPASS REPAIR SERVICE

With routine maintenance, we can ensure that your vessels will have a standard magnetic compass on which they can rely, in any situation.

**AUTONAUTIC** provides ships compass surveys, compass adjusting services, replacement and installation on-board your vessel. Within the shortest time, no matter where you are.

**AUTONAUTIC** is the only company worldwide with the ISO 9001:2015 for magnetic compass repair services.

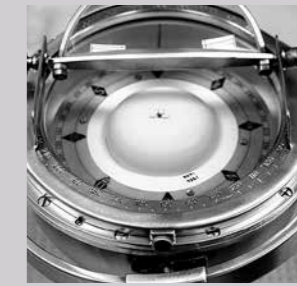
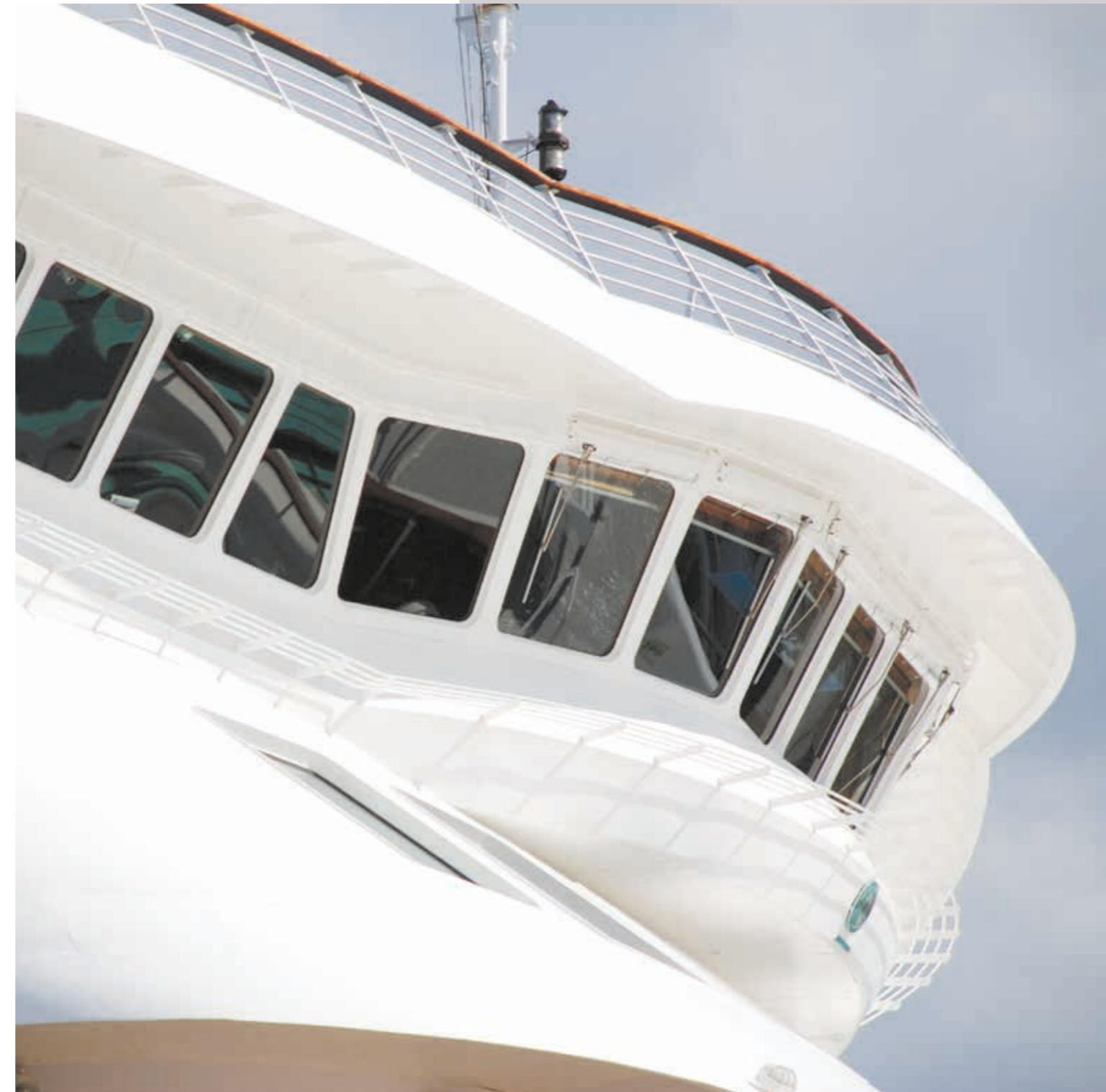
**RINA** certifies our compass repair process with the ISO 9001:2015 quality certification

Over 4.500 magnetic compass repairs and a profound knowledge of compass manufacturing provide us with the required experience to repair any type of compass with total confidence.

## MAGNETIC COMPASS SERVICES

### Features

- 1 / Pre-inspection
- 2 / Certified ships compass service and repair
- 3 / Supply of magnetic compass spares
- 4 / On-board compass adjustment
- 5 / Magnetic compass exchange / temporary loan
- 6 / Worldwide delivery of magnetic compass exchange units
- 7 / Ready supply of certified and refurbished compasses



## RINA SERVICE SUPPLIER

**AUTONAUTIC** are recognized by RINA services for magnetic compass servicing.

Our service and repair center in Barcelona are fully equipped to carry out the 4- or 2-years overhaul to issue RINA certificates for Italian flag vessels.

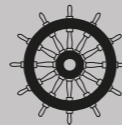
# COMPASSES



WE MANUFACTURE A WIDY RANGE OF HIGH QUALITY MARINE COMPASSES, ATTRACTIVELY DESIGNED FOR ANY TIPE OF BOAT

All Autonatic compass dials not to be balanced to compensate for dip caused by the earth's magnetic field. Our compasses are suitable for all navigation zones.

All our marine compasses are in compliance with Directive 2014/90/EC on Marine Equipment with Implementing Regulation (EU) 2018/773 and in accordance with the Regulations, Codes or Standards stated on the CE Type Approval Certificate (EC Type Examination Certificate-Module B), to provide you with a compass that guarantees maximum safety in Navigation.



0474-XX

*A modern handbearing compass with a clean looking design, ergonomic and ambidextrous design*

## COMPASS V-FINDER



**SHOCKPROOF, WATERPROOF AND SANDPROOF** INITIALLY DESIGNED FOR REGATTA RACING, IT IS ALSO A PRECISE AND PRECIOUS COMPANION WHEN TREKKING OR HIKING.

**LIGHT & ERGONOMIC** - the smooth finish feels soft in your hand, and it will not slip, even if it is wet.

**AMBIDEXTROUS DESIGN** - is unique in that it manages to achieve an unparalleled level of comfort both for right and left-handed users.

**ACCURATE BEARING** - Hardened pivot and double cup stone are a guarantee of long life and shock resistance of your V-FINDER compass.

**MEMORY RING** - The V-FINDER also has a memory ring, for setting the desired course.

**HI-TECH BOTTOM CELL** - engineered using ultra-sonic welding, it acts like an expansion membrane, eliminating bubbles and leaks.

**PHOTOLUMINESCENT DIAL** - completely maintenance-free.



### Features

Two functions: handbearing & traditional compass

Memory ring

Field of view: 30°

Photoluminescent dial

Red lubber lines

Weight: 90g

Fluid Damped



Small, tidy  
and perfectly  
formed



COMPASS C3 SERIES



MODEL C3001

COMPASS C3 IS IDEALLY SUITED FOR USE IN A RIB OR DINGHY

Here is our smallest compass and ideally suited for use in a RIB or dinghy. When making your selection there are essentially three criteria size, damping and style of the compass card.

This C3 compass is easily mounted on a flat surface so no hole is required. It is well damped to cope with the greater range of movement in a RIB or dinghy and features a spherical card that is easy to read when standing up or sitting down.



MODEL C3002

Features	
Compass Type	Surface mount
Boat Style	RIB or dinghy
Dial Size	65 mm
Card design	Conical
Night Lightning	12 - 24 V
Compensators	NO
Warranty	2 years

A modern and  
stylish looking  
power or sail boat  
bracket mounted  
compass

COMPASS C12 SERIES



MODEL 001



MODEL 002



MODEL 003



MODEL 004



MODEL 005

Features	
Compass Type	Bracket mount
Dial Size	85 mm
Card design	Flat or black cone-shaped card
Night Lightning	12 - 24 V
Compensators	Optional
Warranty	5 years

DIRECTIVE 2014/90/EC ON MARINE EQUIPMENT 0474-XX





## COMPASS C12 PLUS SERIES

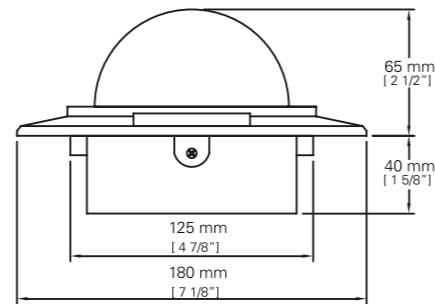
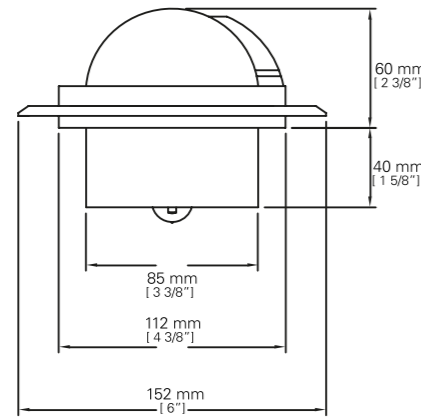
POWER/SAIL BOAT COMPASS OPTIMIZED FOR MOUNTING ON HORIZONTAL SURFACES



MODEL 0020



MODEL 0021



DIRECTIVE 2014/90/EC ON MARINE EQUIPMENT 0474-XX

Features	0020	0021
Compass Type	Flush mount	Flush mount
Boat Style, size	Power or sail	Power or sail
Dial Size	85 mm	100 mm
Card design	Flat	Flat
Night Lightning	12 - 24 V	12 - 24 V
Compensators	No	Optional
Protective cover	Yes	Yes
Mounting hole	112 mm	125 mm
Warranty	5 years	5 years

## COMPASS C12 110 SERIES

A MODERN AND STYLISH LOOKING POWER OR SAILBOAT COMPASS OPTIMIZED FOR MOUNTING ON HORIZONTAL SURFACES



MODEL 0010



MODEL 0011



MODEL 0012



MODEL 0013



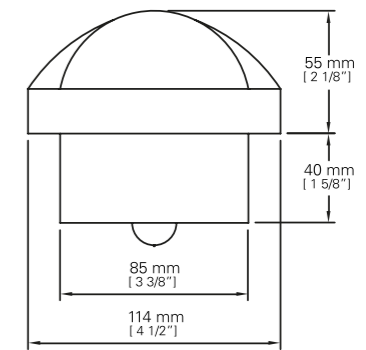
MODEL 0014



MODEL 0015

DIRECTIVE 2014/90/EC ON MARINE EQUIPMENT 0474-XX

Features	
Compass Type	Flush mount
Boat Style	Power or sail
Dial Size	85 mm
Card design	Flat or Conical
Night Lightning	12 - 24 V
Compensators	NO
Mounting hole	85 mm
Warranty	5 years



# A modern and stylish looking power or sailboat bracket mounted compass

## COMPASS C8 SERIES

WHICH CAN BE CONTINUOUSLY ADJUSTED TO MOUNT ON ANY HORIZONTAL, ROOF OR VERTICAL SURFACE



MODEL 0025



MODEL 0026



LATERAL MOUNT



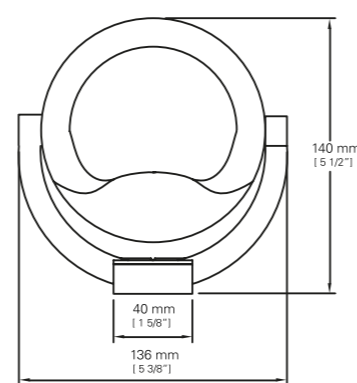
ROOFMOUNT



DIRECTIVE 2014/90/EC ON MARINE EQUIPMENT 0474-XX

### Features

Compass Type	Multidirectional bracket mount
Boat Style	Power or sail
Dial Size	85 mm
Card design	Conical
Night Lightning	12 - 24 V
Clinometer	5°
Compensators	No
Warranty	5 years



MODEL 0027



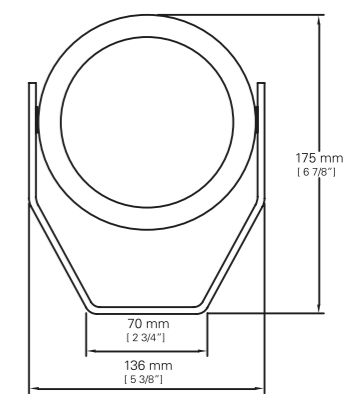
ROOFMOUNT



DIRECTIVE 2014/90/EC ON MARINE EQUIPMENT 0474-XX

### Features

Compass Type	Bracket mount
Boat Style	Power or sail
Dial Size	100 mm
Card design	Conical
Night Lightning	12 - 24 V
Clinometer	5°
Compensators	No
Warranty	5 years





## COMPASS C10 SERIES

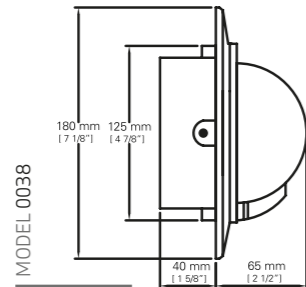
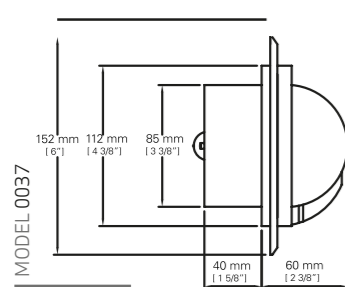
A CONVENTIONALLY STYLED SAILBOAT BULKHEAD MOUNTED COMPASS



MODEL 0037



MODEL 0038



## COMPASS 9 SERIES

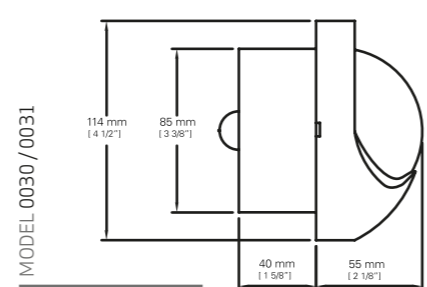
A MODERN AND STYLISH LOOKING SAILBOAT BULKHEAD MOUNTED COMPASS



MODEL 0030



MODEL 0031



DIRECTIVE 2014/90/EC ON MARINE EQUIPMENT 0474-XX

Features	0037	0038	0030 / 0031
Compass Type	Bulkhead mount	Bulkhead mount	Bulkhead mount
Boat Style	Power or sail	Power or sail	Power or sail
Dial Size	85 mm	100 mm	85 mm
Card design	Conical	Conical	Conical
Night Lightning	12 - 24 V	12 - 24 V	12 - 24 V
Clinometer	5°	5°	5°
Protective cover	Yes	Yes	-
Mounting hole	85 mm	125 mm	85 mm
Warranty	5 years	5 years	5 years



## COMPASS CHE SERIES

A POWER OR SAILBOAT BINNACLE COMPASS THAT MOUNTS ON A FLAT SURFACE



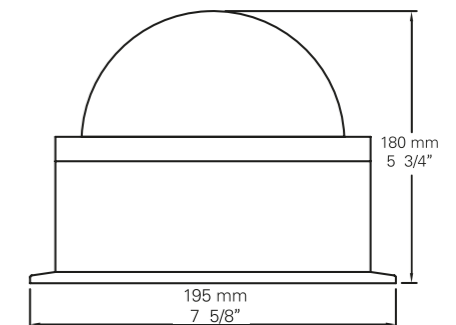
MODEL 0073



MODEL 0074

DIRECTIVE 2014/90/EC ON MARINE EQUIPMENT 0474-XX

Features	
Compass Type	Deck mount
Boat Style	Power or sail
Dial Size	140 mm
Card design	Flat
Night Lightning	12 - 24 V
Compensators	Built-in
Protective cover	Yes
Warranty	5 years



## COMPASS C15 SERIES

A MODERN AND STYLISH LOOKING POWER OR SAILBOAT BINNACLE COMPASS

MODEL 0048



MODEL 0049



MODEL 0050



MODEL 0051



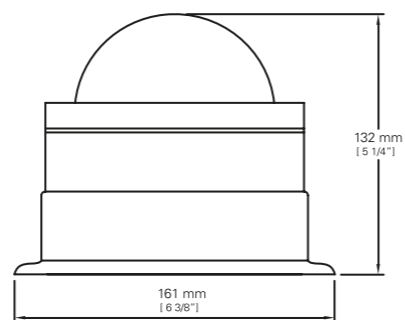
MODEL 0052



DIRECTIVE 2014/90/EC ON MARINE EQUIPMENT 0474-xx

### Features

Compass Type	Deck mount
Boat Style	Power or sail
Dial Size	100 mm
Card design	Flat or Conical
Night Lighting	12 - 24 V
Compensators	Built-in
Protective cover	Yes
Warranty	5 years



## COMPASS C15 150 SERIES

A MODERN AND STYLISH LOOKING POWER OR SAILBOAT COMPASS OPTIMIZED FOR MOUNTING ON HORIZONTAL SURFACES

MODEL 0065



MODEL 0064



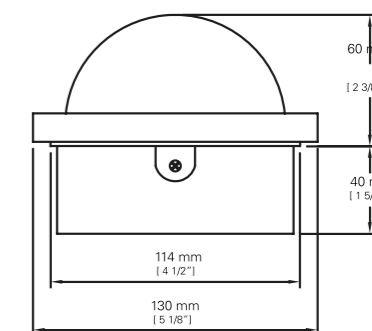
MODEL 0063



DIRECTIVE 2014/90/EC ON MARINE EQUIPMENT 0474-xx

### Features

Compass Type	Flush mount
Boat Style	Power or sail
Dial Size	100 mm
Card design	Flat or Conical
Night Lighting	12 - 24 V
Compensators	No
Protective cover	Yes
Mounting hole	85 mm
Warranty	5 years



## COMPASS CHE 0077

DECK MOUNT COMPASS WITH QUADRANTAL CORRECTOR SPECIALLY DESIGNED FOR STEEL HULLS



MODEL CHE 0077



### Features

- 140 mm 5,75" dial
- 2.5° graduation
- B+C correctors built-in
- D-correctors with brackets for steel hullvessels
- Hardened Steel Pivot and Sapphire Jewel
- 90 degree Lubber Lines for easy reading
- Night lightning 12 / 24
- Easy maintenance ABS binnacle
- Type MED / SOLAS approved
- Individual MED / SOLAS certificate
- Overall dimensions 350 x 180mm



## Overhead compass for use on professional or commercial ships

### COMPASS CHE 0078

THIS COMPASS IS DESIGNED FOR MOUNTING OVERHEAD SO THAT IT CAN BE READ FROM BELOW.

THE COMPASS IS FITTED WITH A BLACK 125MM FLAT CARD GRADUATED EVERY DEGREE.



MODEL CHE 0078



### Features

- 125 mm 5,75" dial
- B+C correctors built-in
- 1° graduation
- Hardened Steel Pivot and Sapphire Jewel
- Night lightning 12 / 24
- Type MED / SOLAS approved
- Individual MED / SOLAS certificate included
- 5 Years warranty
- Overall dimensions 195 x 110 mm + mirror
- Optional accessories: quadrantal correctors CHE 0079




COMPASS C4 SERIES



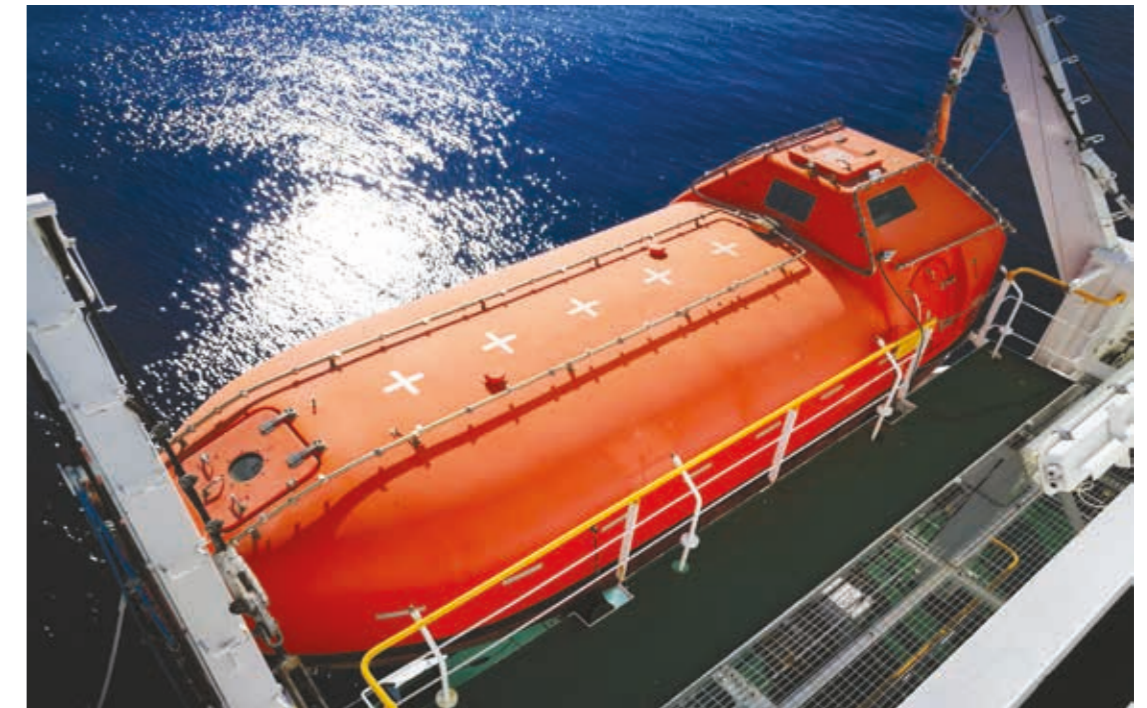
MODEL 00114



MODEL 00108

DIRECTIVE 2014/90/EC ON MARINE EQUIPMENT  0474-XX

Features	00114	00108
Compass Type	Wooden box gimballed compass	Wooden box compass
Boat Style	Rescue boats / lifeboats	Rescue boats / lifeboats
Dial Size	100 mm	85 mm
Card design	Flat	Flat
Night Lightning	No	1,5V LED light
Wooden box dimensions	190 x 190 x 130 mm	155 x 135 x 155 mm
Warranty	5 years	5 years




COMPASS CHH SERIES



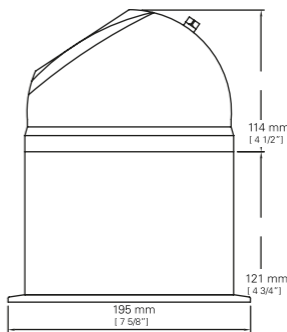
MODEL 0090

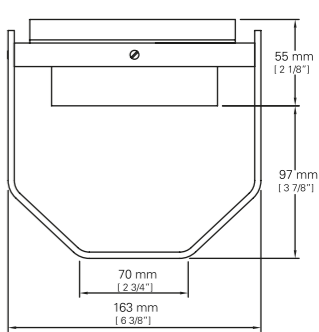


MODEL 0096

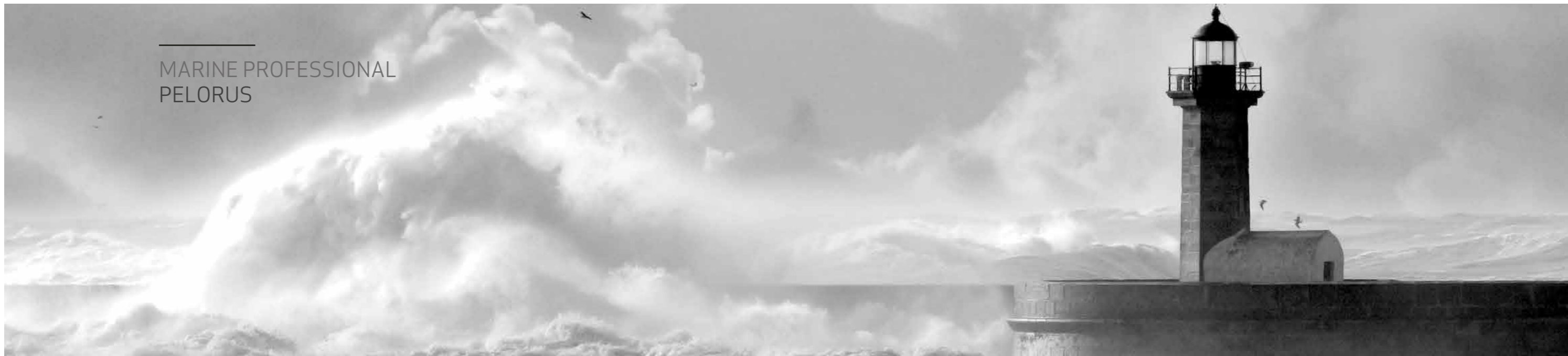
DIRECTIVE 2014/90/EC ON MARINE EQUIPMENT  0474-XX

Features	0090	0096
Compass Type	Deck mount	
Boat Style	Bracket mount	
Dial Size	100 mm	
Card design	Flat	
Gimbal	360°	
Warranty	5 years	





# MARINE PROFESSIONAL PELORUS



Watch relative bearings change, predict crossing situations, plot offshore fixes with a 3 arm protractor, or check your compass by sun or stars. These are some of the things you can do with a pelorus. Large ships have permanently mounted peloruses, or some that can be mounted in deck shoes. On a smaller scale, these portable peloruses will give you many of the same benefits. A compass adjuster will find this a very nice instrument when calling on an assignment.



MODEL 00122

**PROFESSIONAL GRADE PELORUS.** The Boxed Pelorus is stored in its plywood box by resting on two lower gimbals and folding down the aluminium sighting vanes. For operational use, the pelorus is raised to engage two upper gimbals in the box and raising the sighting vanes or installing the sun shadow vane. The plywood box size is 21 x 21 x 18 cm and is finished in natural wood tones.

The Peloruses have a gimbale bearing card which is 125 mm in diameter, and is marked in one degree increments. A sun shadow vane may be used for checking the ship's compass. The gimbals are weighted for stability, and overall construction is of aluminium and polyamide.



MODEL 00123

**BRACKET MOUNT PELORUS.** The Shoe Mount Pelorus comes with a deck shoe that can be affixed with two screws at a desired location where bearings may be easily taken. The pelorus can be taken from its storage box and be quickly mounted on the shoe. After use it can be returned to its box, or left out for later use. Storage box size is 24 x 24 x 15mm, 9.5" square x 5" high, and is finished in natural wood tones.

The Pelorus have a gimbale bearing card which is 5 inches in diameter, and is marked in one degree increments. A sun shadow vane may be used for checking the ship's compass. The gimbals are weighted for stability, and overall construction is of aluminium and polyamide.

The Boxed Pelorus is quite nice looking in its box. Apart from its functional attributes, it would be well suited as a marine artifact in a den or office.

WOODEN BOX SPARE COMPASS CLASS A 125MM DIAL FOR COMMERCIAL AND PROFESSIONAL VESSELS



MODEL 00131

DIRECTIVE 2014/90/EC ON MARINE EQUIPMENT  0474-XX

Features	
Boat Style	Commercial and professional vessels
Dial Size	125 mm
Card design	Flat
Graduation	Every degree with cardinal markings
Wooden box dimensions	245 x 245 x 135 mm
Sliding cover	Yes
Warranty	10 years
<b>OPTIONAL ACCESSORIES</b>	Azimuth device for C20 compass. C20-00136

BRACKET MOUNT COMPASS FOR COMMERCIAL A MODERN PROFESSIONAL LOOKING BRACKET MOUNTED CLASS A COMPASS

MODEL 00137  
230 x 153 mm



BRACKET MOUNT COMPASS FOR STEEL BOATS A MODERN PROFESSIONAL LOOKING BRACKET MOUNTED CLASS A COMPASS WITH STEEL BOAT QUADRANTAL CORRECTORS

MODEL 00138  
400 x 153 mm



0474-XX ARRANGEMENTS FOR AUTONAUTIC NMEA0183 PICK UP

Features	
Compass type	Bracket mount
Boat Style	Commercial vessels
Dial Size	125 mm
Card design	Flat
Graduation	Every degree with cardinal markings
Overall dimensions	230 x 153 mm / 400 x 153 mm
Mounting deck shoe	Yes
Warranty	10 years



Optional accessories
NMEA0183 TMC sensor. C20-00132
Azimuth ring and sighting vanes. C20-00136

# COMPASS C20 SERIES - 00130

FOR COMMERCIAL VESSELS UNDER 150GRT, FISHING VESSELS AND WORKBOATS.



MODEL 00130

### Design features

- Class A magnetic compass
- 1 degree graduation
- 125 mm, flat card
- Arrangements for NMEA compass pick up

### Optional accessories

- NMEA0183 TMC sensor. **C20-00132**
- Azimuth ring and sighting vanes. **C20-00136**
- Spare compass in wooden box. **C20-00131**

### Features

- 125 mm card Class A magnetic compass
- 1 degree graduation
- B+C compensation system built-in
- Quadrantal correctors for steel hull
- Arrangements for NMEA0183 TMC sensor
- Marine aluminum binnacle grade
- 24 Vdc lighting (Main and Supply LED light)
- Textile waterproof cover
- Type MED / SOLAS approved
- Individual MED/ SOLAS certificate included
- 10 years warranty
- Reduced shipyard installation
- Overall dimensions: 430 x 50mm / Base Ø280mm



## ACCESSORIES



PERISCOPE TUBE INCLUDED



### Features

- Reduced shipyard installation work
- 30° of Visibility
- Optimal individually length arrangements
- Anti-Reflective lens
- Low weight
- Reinforced ABS periscope

LIGHT JUNCTION BOX INCLUDED



### Features

- High quality LED lighting
- 24 Vdc
- Main and emergency light
- IP rating 67

TEXTILE WATERPROOF COVER INCLUDED



### Features

- Improved protection

## COMPASS C20 SERIES - 00128

TABLE TOP OR REFLECTOR MAGNETIC CLASS A COMPASS OUTFIT



MODEL 00128



TEXTILE WATERPROOF COVER INCLUDED



### Features

- 125 mm card Class A compass
- 1 degree graduation
- Arrangements for NMEA0183 TMC sensor
- Marine aluminium binnacle
- 24 Vdc lighting
- Quadrantal correctors for steel hull
- Waterproof textile cover
- Type MED / SOLAS approved
- Individual MED / SOLAS certificate included
- 10 Years warranty
- Reduced shipyard installation
- Overall dimensions: 430 x 30mm / Base Ø280mm



### Optional accessories

- Periscope. **C20-00135**
- NMEA0183 TMC sensor. **C20-00132**
- Spare 125 mm compass. **C20-00131**
- Azimuth ring and sighting vanes. **C20-00136**
- Compass Course Repeater. **C20-00133**



## COMPASS C20 SERIES - 00132

NMEA0183 COMPASS PICK UP SENSOR



MODEL 00132

**THE AUTONAUTIC COMPASS PICK UP SENSOR** takes the magnetic data generated by an existing yacht compass and converts it into NMEA0183 data to use for a variety of on-board purposes. Its roots are found in larger vessels where the ship's compass is precisely calibrated and for certification purposes acts as the reference point for all navigation systems.

This sub-system senses the angle of a strong external magnetic field. Such a field is produced by large marine permanent-magnet compasses. By placing the C20-00132 compass pick up sensor under the compass the angle of the magnet is sensed and available as an NMEA-0183 sentence.

A variety of options can be set.

Calibration is assisted by a PC software utility.

### Features

- IP68
- NMEA-0183
- 8-30V Supply
- Manual calibration with PC software
- Zero rotate ring
- Centre Hole

### Applications

Marine Compass Pickup for any magnetic compass





## COMPASS C20 SERIES - 00133

### COMPASS COURSE REPEATER



THE NEW AUTONAUTIC COMPASS REPEATER have been created to combine practical functionality alongside classic watch-like design.

They are equally at home mounted in the saloon for information purposes, in the cockpit for vital passage making data at a glance or anywhere in-between.

Clear, easy to read analogue gauges combined with clever lighting features, provide seamless day to night readability.

Installation is straightforward with only a small hole for the cable needed in the panel. Sealed to IP68 standards providing long term water ingress protection, they are compatible with NMEA 0183.

The C20-00133 is one Marine Instrument Displays designed to be both attractive and easy-to-use. IP68 for outside applications the displays can be mounted inside where the information is presented to all those onboard in an attractive way.

#### Features

- Familiar Rotating Card Compass Display
- Standard 110mm square
- Surface mount - no cut-out
- Designed for Cockpit, Chart-table or Saloon
- IP68
- NMEA-0183 (other versions available)
- Tracking back-light for best night-vision
- Can be directly driven by C20-00132 pick up compass sensor

## CLOCKS & METEOROLOGY



Our clocks, chronometers and weather instruments combine traditional design and the stylishness of the finest nautical clocks and weather instruments.

- / Gold plated cases (0,05 - 25 karats gold)
- / Maintenance-free
- / Solid brass cases
- / Ultra-hard finish that will never tarnish or scratch
- / Lifetime warranty on finish and clock movement
- / Mineral glass

## Professional Marine Chronometer

CHRONOMETER CMS



### Features

Battery	IEC R6+ (AA)
Quarta frequency	32.786 KHz
Operation Voltage	1.2V - 1.7V
Time Keeping Accuracy	Din 8325
Operating Temperature range	-5°C +50°C
Battery Life	Approx 2 year
Dimensions	200 x 200 x 85 mm

This is a new, elegant rendition of this standard theme, with classical conservative lines, and a new way of presentation.

The clock is on an inclined bed for easy viewing with the top opened, or even with it closed due to the clear panel mounted in the top.

Classical professional marine quartz chronometer with roman numerals mounted in a varnished wood and brass carriage case.

While technically not a true chronometer in the strict sense – that being a clock with a constant rate of error – the high quality quartz movement deserves the highest rating that a quartz movement can have.

The box itself is made from fine grade beechwood with a mahogany finish, and 24 karats gold flashing on all metallic fixtures. The clock is encased in a solid brass, gold flash housing. The clock has a 12-hour Roman numeral dial with sweep second hand. Guaranteed accuracy is less than 1 second per day error.

## Traditional Professional Marine Chronometer.

CHRONOMETER CMQ



### Features

Battery	IEC R6+ (AA)
Quarta frequency	32.786 KHz
Operation Voltage	1.2V - 1.7V
Time Keeping Accuracy	Din 8325
Operating Temperature range	-5°C +50°C
Battery Life	Approx 2 year
Dimensions	195 x 195 x 185 mm

This is a new, elegant rendition of this standard theme, with classical conservative lines, and a new way of presentation.

Classical gimbaled professional marine quartz chronometer with roman numerals and inner Arabic numerals mounted in a varnished wood and brass carriage case.

While technically not a true chronometer in the strict sense – that being a clock with a constant rate of error – the quartz movement is of the finest German manufacture, the U.T.S. Co., and deserves the highest rating that a quartz movement can have.

UTS is the number one producer of quartz movements in Europe, and produces movements for the famous Junghans quartz clocks.

The box itself is made from fine grade beechwood with a mahogany finish, and 24 karats gold flashing on all metallic fixtures. The clock is encased in a solid brass, gold flashed housing with a 5 mm thick crystal glass bezel which is beveled on its circumference. The clock has a 12-hour Roman numeral dial with sweep second hand. Guaranteed accuracy is less than 1 second per day error.

# MINOR 72 SERIES

BASE 72MM  
TOP HEIGHT 39MM  
DIAL 50MM

QUARTZ CLOCK R 72D



BAROMETER B 72D



THERMOMETER T 72D



HIGROMETER H 72D



QUARTZ CLOCK R 72C



BAROMETER B 72C



THERMOMETER T 72C



HIGROMETER H 72C



QUARTZ CLOCK R 72N



BAROMETER B 72N



THERMOMETER T 72N



HIGROMETER H 72N



QUARTZ CLOCK RE 72C



BAROMETER BE 72C



THERMOMETER TE 72C



HIGROMETER HE 72C



# ATLANTIC 95

BASE 95MM  
TOP HEIGHT 35MM  
DIAL 70MM

QUARTZ CLOCK R 95D



BAROMETER B 95D



THERMO-HIGROMETER TH 95D



QUARTZ CLOCK R 95C



BAROMETER B 95C



THERMO-HIGROMETER TH 95C



QUARTZ CLOCK R 95N



BAROMETER B 95N



THERMO-HIGROMETER TH 95N



R95P  
130 X 130 MM



B95P  
130 X 130 MM



# BALTIC 110 SERIES

BASE 110MM  
TOP HEIGHT 40MM  
DIAL 100MM

QUARTZ CLOCK RBP



BAROMETER BBP



HIGROMETER HBP



THERMOMETER TBP



CLINOMETER CLBP



# PACIFIC 120 SERIES

BASE 120MM  
TOP HEIGHT 35MM  
DIAL 95MM

QUARTZ CLOCK R 120D



BAROMETER B 120D



COMFORTMETER TH120D



QUARTZ CLOCK R 120C



BAROMETER B 120C



COMFORTMETER TH120C



CLINOMETER CL120D



CLINOMETER CL120C



QUARTZ CLOCK R 120N



BAROMETER B 120N

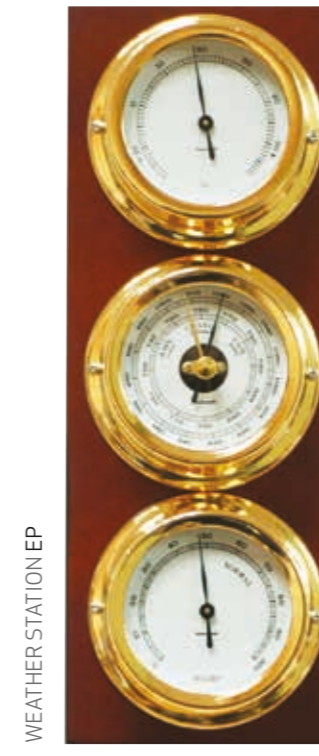


## INDIC 175 SERIES

BASE 175MM  
TOP HEIGHT 50MM  
DIAL 150MM

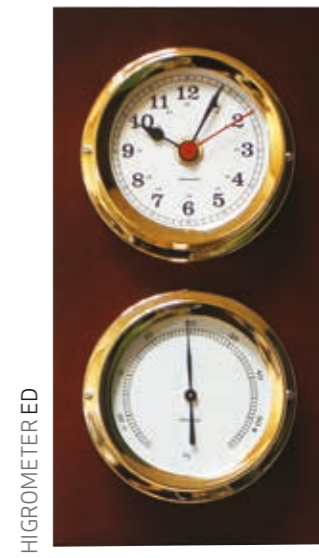


## MINOR 72 SERIES WEATHER STATIONS



Features	
BASE	72 mm
TOP HEIGHT	39 mm
DIAL	50 mm
EP	230 x 85 mm
EPC	230 x 85 mm

## ATLANTIC 95 WEATHER STATIONS



Features	
BASE	95 mm
TOP HEIGHT	35 mm
DIAL	70 mm
EG	350 x 130 mm
EGC	350 x 130 mm
ED	275 x 140 mm

PACIFIC 120 SERIES  
WEATHER STATIONS



Features	EMT	IEM
BASE	118 mm	118 mm
TOP HEIGHT	24 mm	24 mm
DIAL	71 mm	95 mm
Dimensions	443 x 185 mm	275 x 140 mm



AUTOMATIC  
A  
the  
compass  
specialist



the  
compass  
specialist



AUTONAUTIC  
THE COMPASS SPECIALIST

Camí del Mig 116 1º  
Polígon Industrial Les Corts,  
08349 Cabrera de Mar, Barcelona

TEL. +34 935 40 99 49

WWW.AUTONAUTICINSTRUMENTAL.COM  
INFO@AUTONAUTICINSTRUMENTAL.COM